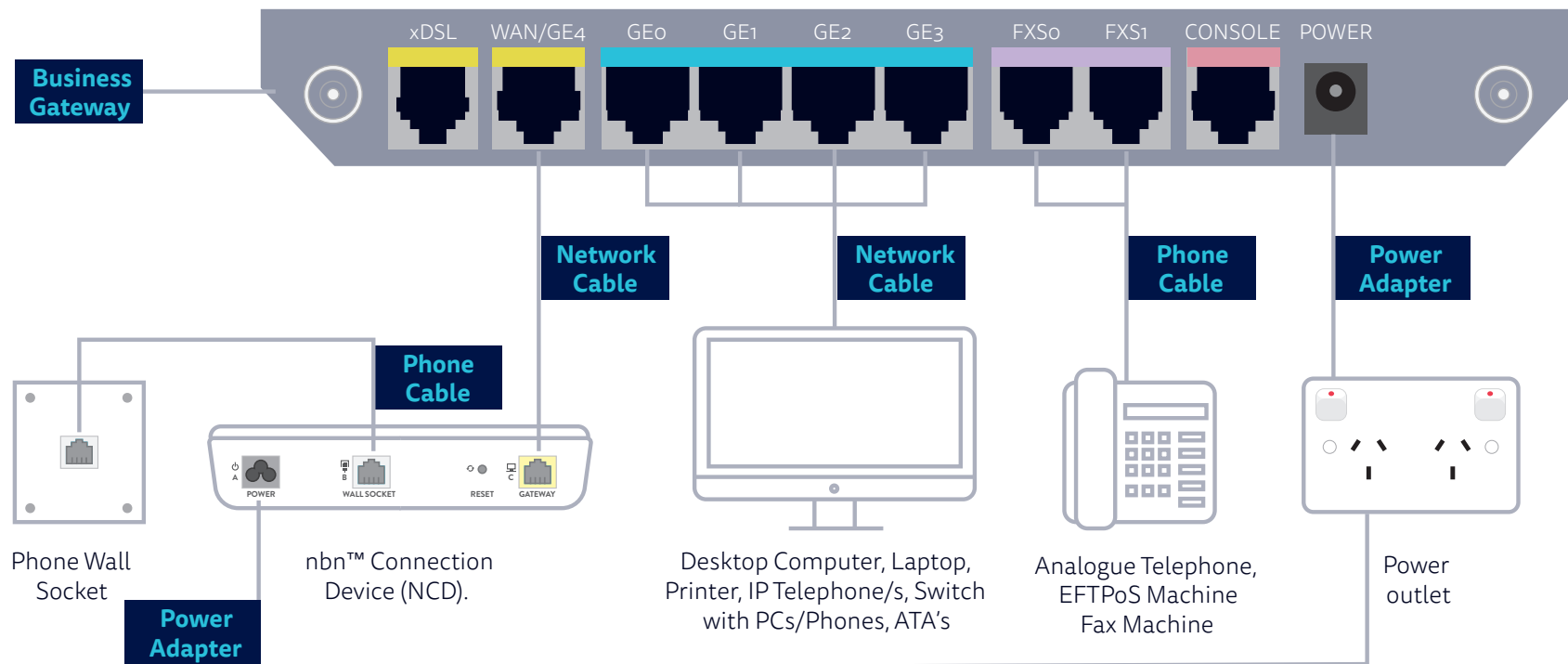


Equipment Setup Guide for nbn™ FTTC



Please read the instructions in the Quick Start Guide included with your Business Gateway for more information.



1

Connect the Power Cables for both your Business Gateway and NCD to the power outlet.

2

Use the Phone Cable to connect to the grey port labelled "B" on the NCD to your phone Wall Socket.

3

Use the Network Cable to connect to the yellow port labelled "C" on the NCD to your Business Gateway's yellow WAN Port.

4

Turn on both devices and allow 15 minutes for automatic configuration.

5

See the barcode sticker on the base of your Business Gateway for the default WiFi (SSID & WLAN Key) details.

6

For more information, please see the supplied Quick Start Guide.